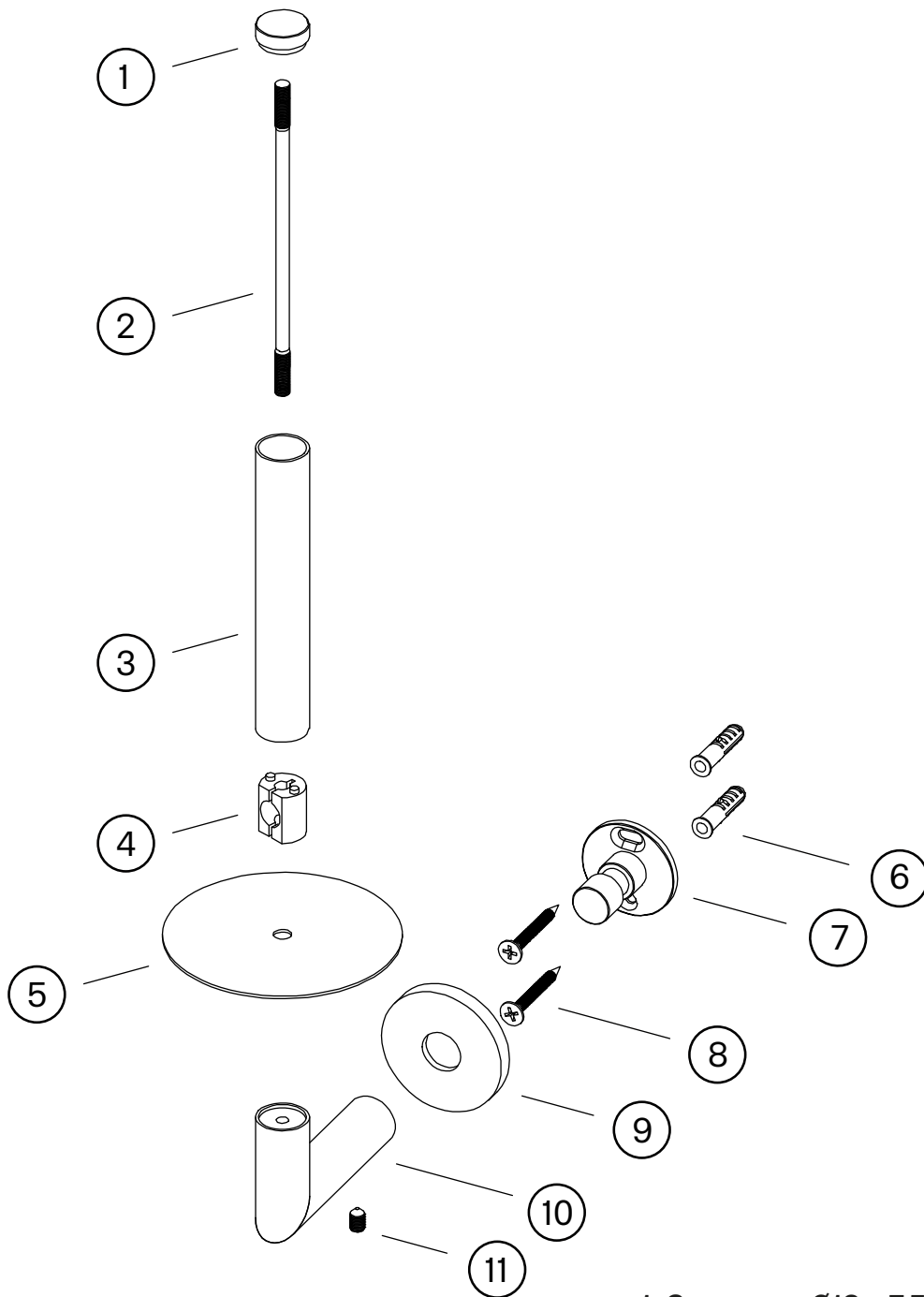


Explosion Drawing



1. Cover cap $\text{\O}18 \times 7,5 \text{ mm}$
2. Inner bar M5 x 122 mm
3. Outer pipe Ytterrör $\text{\O}18 \times 1 \times 109 \text{ mm}$
4. Nippel 15,9 x 13,5 x 19 mm
5. Bricka $\text{\O}80 \times \text{\O}5,2 \times 1 \text{ mm}$
6. Screw plug $\text{\O}6 \times 30 \text{ mm}$
7. Wall mount $\text{\O}34,6 \times 29,5 \text{ mm}$
8. Screw M4 x 35 mm
9. Wall plate $\text{\O}45 \times 6 \text{ mm}$
10. Angled pipe 72.5 x 44 x 18 mm
11. Allan screw M5 x 8 mm